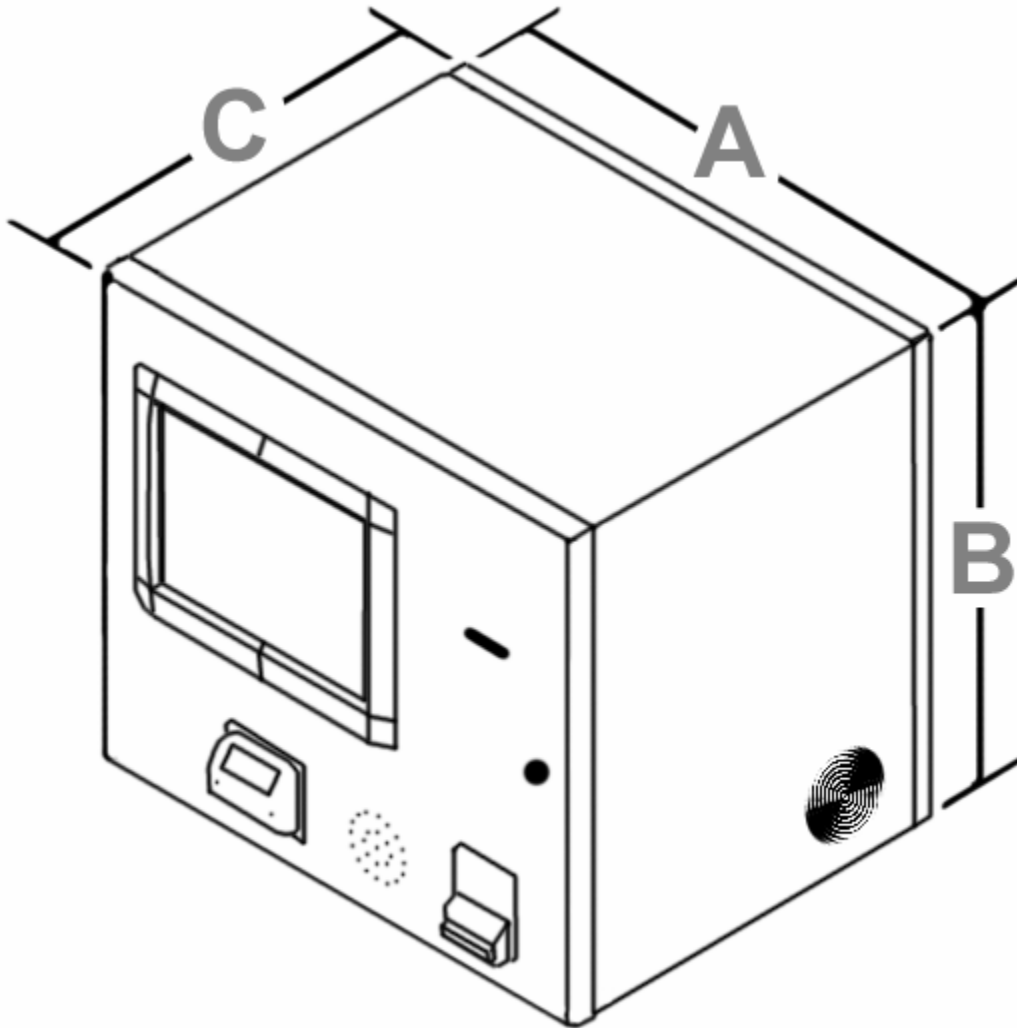


# LaundryCard X-CHANGER

## Specifications

Width (A)	Height (B)	Depth (C)
27 7/8"	25 1/8"	21 1/4"
<b>Electrical Requirements:</b>	120/60/1 Isolated Circuit	
<b>Gross Weight:</b>	~190 lbs (with equipment installed)	
<b>Suggested mounting height:</b>	39" from bottom of cabinet to floor	
	<i>(Check ADA requirements)</i>	



302 S. Stewart Ave.

Addison, IL 60101  
www.laundrycard.com

(866) 860-1660